

Variable Orifice Double Regulating Valve

AW58/3

BS, DN65 - DN150 (EPDM)

PN 16

These are Y-pattern globe valves fitted with two pressure test valves to provide flow measurement, regulation and isolation.

Technical Details

Face to Face in accordance to:

EN 558-1 Series 1

Maximum Working Pressure PFA:

16 bar / PN16

Working temperature:

Maximum +80°C

Construction complies to:

BS 7350

Flange Type:

EN 1092-2 PN16

Coating:

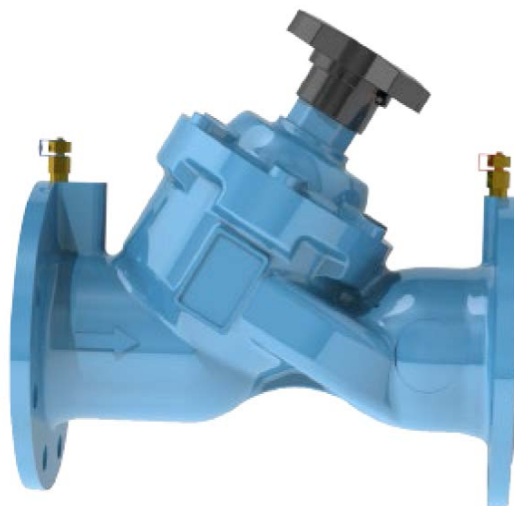
250 µm FBE coating, external and internal - Blue (RAL5015)

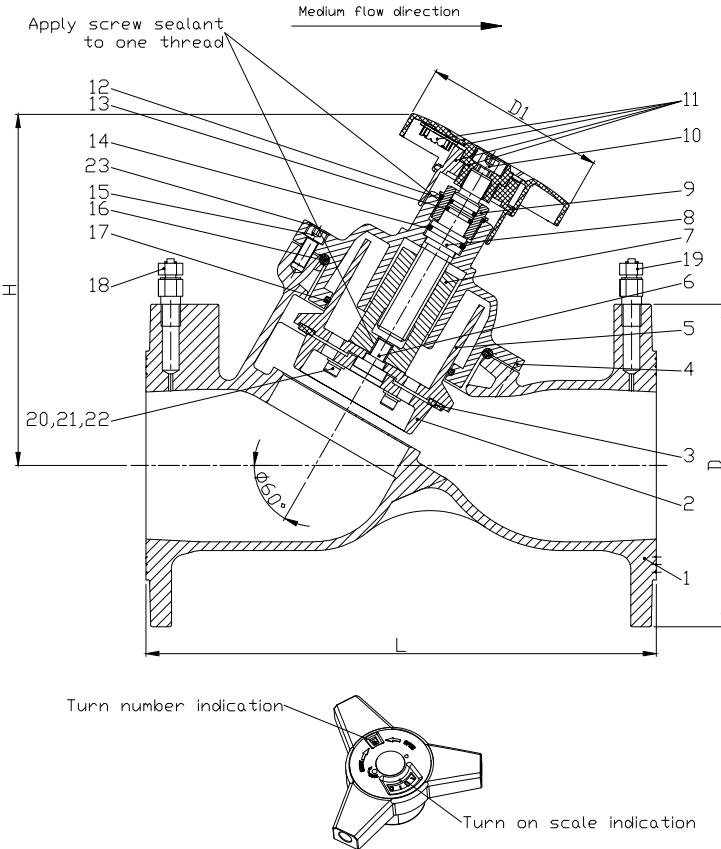
Application:

Primarily used in injection or other circuits requiring a double regulating valve for systems balancing. Accuracy of flow measurement is $\pm 5\%$ at all open positions of the valve.

Design features

- One rectangular aluminum label is pasted on the front of valve body
- The working medium is heating and ventilating water
- Valve is supplied with Hand Wheel as standard.





No	Part Name	Material
1	Body	Ductile Iron EN-GJS-450-10
2	Disc	Ductile Iron EN-GJS-450-10
3	Seal Gasket	EPDM
4	Cover	Ductile Iron EN-GJS-450-10
5	Bracket	Ductile Iron EN-GJS-450-10
6	Screw	Stainless Steel X5CrNi18-10 / 1.4301 / 304
7	Stem Nut	Brass CW617N
8	Stem	Stainless Steel X12Cr13 / 1.4006 / 410
9	Gland	Brass CW617N
10	Hexagon Socket Screws	Stainless Steel X5CrNi18-10 / 1.4301 / 304
11	Handwheel parts	ABS
12	O-ring	Elastomer EPDM
13	O-ring	Elastomer EPDM
14	O-ring	Elastomer EPDM
15	Hexagon Socket Screws	Stainless Steel X5CrNi18-10 / 1.4301 / 304
16	O-ring	Elastomer EPDM
17	O-ring	Elastomer EPDM
18	Measuring Valve (Red)	Brass CW617N
19	Measuring Valve (Blue)	Brass CW617N
20	Hexagon Socket Screws	Stainless Steel X5CrNi18-10 / 1.4301 / 304
21	Lock Washer	Stainless Steel X5CrNi18-10 / 1.4301 / 304
22	Plain Washer	Stainless Steel X5CrNi18-10 / 1.4301 / 304
23	Dust Cover	Nylon

Group	DN	65	80	100	125	150
AW58/3	PN16	AB9377	AB9378	AB9379	AB9380	AB9381
L		290	310	350	400	480
H		228	235	239	298	311
D		185	200	220	250	285
D1		150	150	150	150	150
Weight kg		17	20	29	40	52